



Technical Bulletin

Revolving Attachment Drive Motor Inspection

Cascade has received notification from our drive motor supplier of a low risk defect (0.028% defect rate per supplier sampling) in the motor. Revolving attachments shipped between January 2016 and May 2016 are the population of units affected. We are recommending the following steps:

1 Revolving attachments (Revolving Clamps, Paper Roll Clamps and Rotators) shipped within the dates listed above can be identified by the date code stamp on the top surface of the Drivebox Assembly. If one of these date codes (mm yy) is shown, the unit should be tagged for future inspection.

(01 16), (02 16), (03 16), (04 16), (05 16)

2 Inspection – The next time the unit is removed from the truck carriage for any reason, identify and note the drive motor nameplate information. The maximum time period until removal is Periodic Maintenance at 2000 hrs. The nameplate is located on the bottom surface of the motor.

3 Information on the drive motor nameplate to identify:

Drive Motor Part No. Example: 6097946
Manufacture Date Example: 14-Mar-16

4 If the Drive Motor Part No. identified on the motor nameplate is listed below and the manufacture date is 26-Dec-15 through 30-Mar-16, contact Cascade to initiate the process to replace the motor.

Drive Motor Part No.s	Manufacture Date
206406	26-Dec-15 through 30-Mar-16
6030654	
6097946	
6097951	
6097952	
6097956	
6097960	
6838739	
6842516	

Provide this information to Cascade:

Attachment Serial Number (from Attachment Nameplate)

Drivebox Assembly Part No. and Date Code (from Drivebox casting)

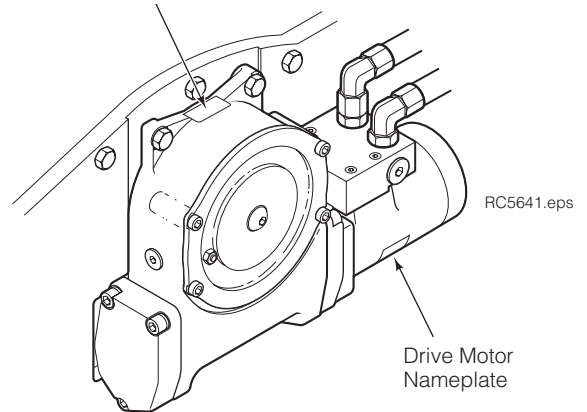
Drive Motor Part No. and Manufacture Date (from Motor Nameplate)



WARNING: Failure to comply with the instructions outlined in the field campaign may result in attachment failure, resulting in personal injury, property damage or death.

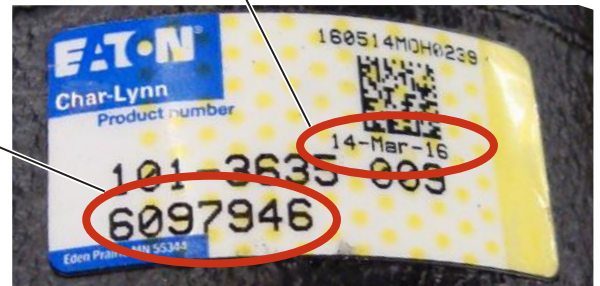


Drivebox Assembly Part No. Example: **795492**
and Date Code Example: **01 16**



Manufacture Date

Drive Motor Part No.



For Technical Support . . .

Call: 1-800-CASCADE (227-2233)

OR

Write: Cascade Corporation, PO Box 20187, Portland, OR 97294-0187

NOTE: This information should not be interpreted as the basis for warranty claims unless so designated.