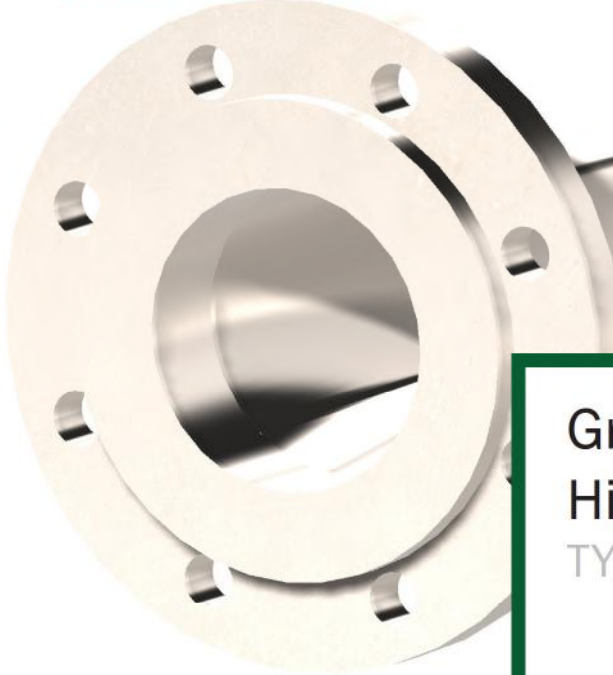




Cellwood Machinery
FOR BETTER PULP AND PAPER



Grubbens High Density Cleaner TYPE HDC

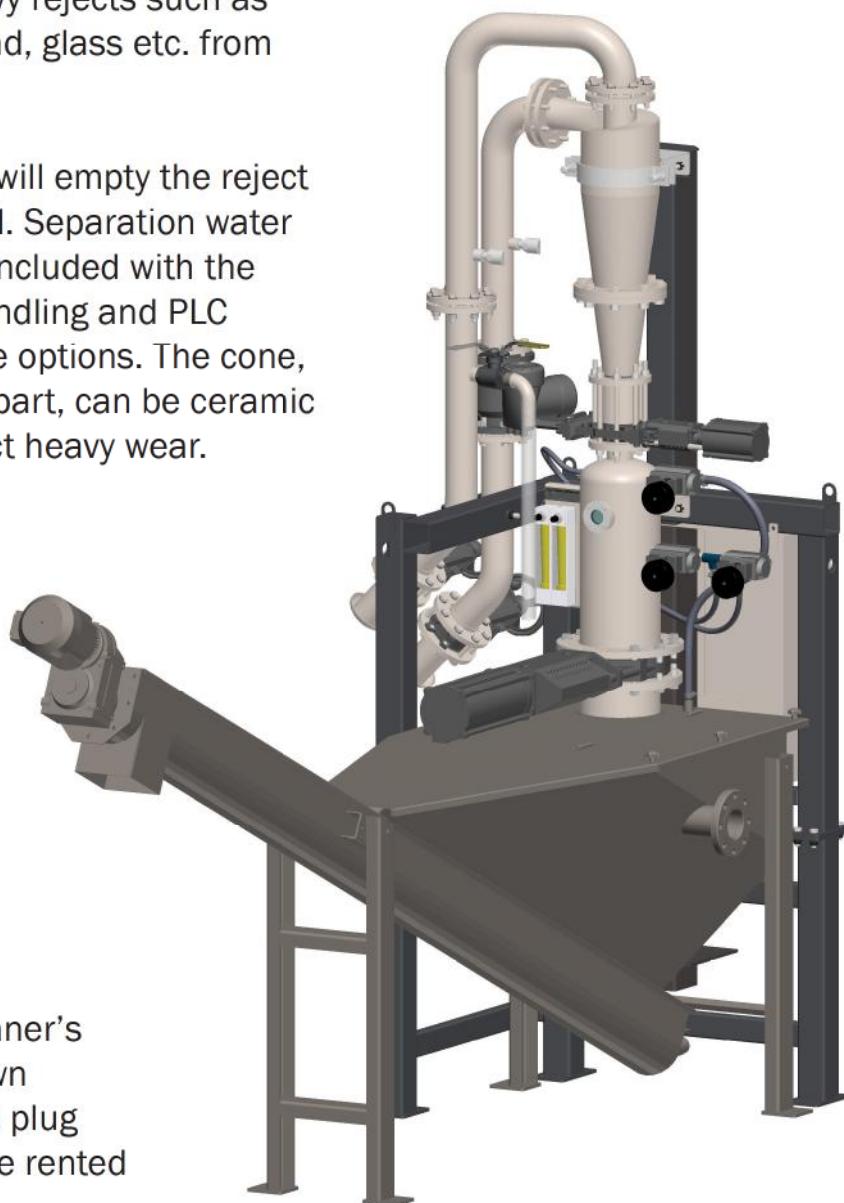


the **Grubbens High Density Cleaner** is used removing heavy rejects such as staples, stones, sand, glass etc. from pulp or substrate.

An automatic cycle will empty the reject chamber on interval. Separation water instrumentation is included with the machine. Reject handling and PLC control are available options. The cone, as well as the inlet part, can be ceramic coated to counteract heavy wear.

The inlet flow rotates in the cleaner. Accept rise in the central vortex in the center of the cleaner. Rejects sink into the reject chamber.

To evaluate the cleaner's efficiency in your own process, a full scale plug and play unit may be rented (see picture).



Machine Size	Pulp		Substrate		Weight		Reject valve	Dimensions	
	Flow @ 4% cons (lpm)	(gpm)	Flow @ 8% DS (lpm)	(gpm)	(kg)	(lbs)		W x D x H (mm)	(inch)
HDC 20	300	80	600	160	270	600	DN 200	1200x650x2600	47x26x100
HDC 25	600	160	1200	320	310	680	DN 250	1400x700x2900	55x27x115
HDC 30	1000	270	2000	530	330	730	DN 250	1400x700x3000	55x27x120
HDC 35	2000	530	4000	1060	380	840	DN 300	1550x800x3100	60x30x120
HDC 40	3000	800	6000	1600	420	930	DN 300	1550x800x3500	60x30x140



Cellwood Machinery
FOR BETTER PULP AND PAPER

Cellwood Machinery AB • Box 65 • SE-571 21 NÄSSJÖ • SWEDEN • Phone +46 380-760 00 • Fax +46 380-141 23
Street address • Storgatan 53 • SE-571 32 NÄSSJÖ • SWEDEN • E-mail sales@cellwood.se • www.cellwood.se